



# Otter Hyfax Kit Installation and Set-Up Instructions

## Tools Required:

Allen Bit  
Drill/Driver  
5/32 or 1/8 Drill Bit  
3/8 Socket and Ratchet  
Hammer

## Information:

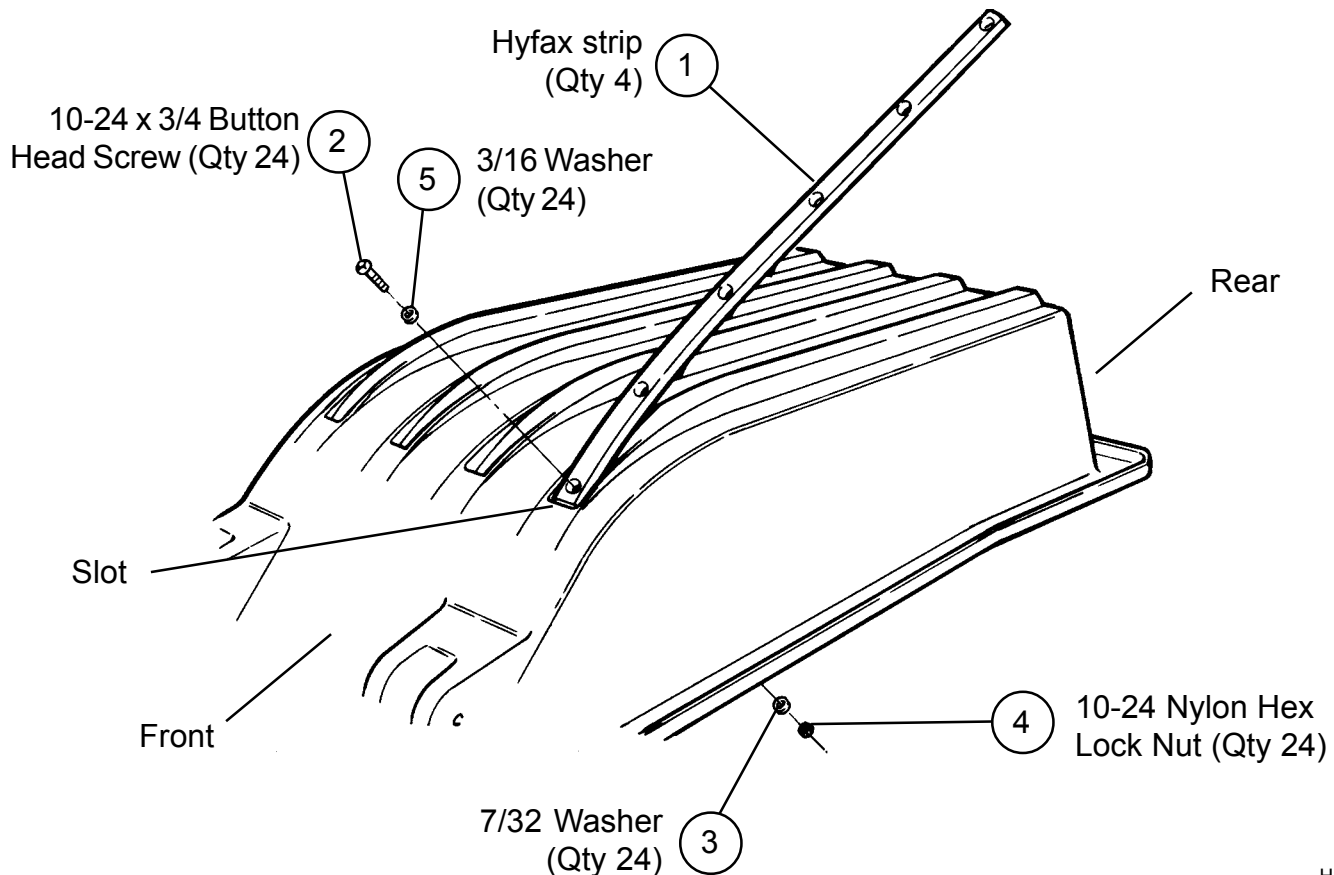
### Small sled is shown.

Quantities for other sleds as follows:

- **Small Ultra Wide Sled** - 5 Hyfax strips - 30 screws - 30 (7/32) washers - 30 (3/16) washers - 30 nuts
- **Medium Sled** - 5 Hyfax strips - 35 screws - 35 (7/32) washers - 35 (3/16) washers - 35 nuts
- **Magnum Sled** - 6 Hyfax strips - 48 screws - 48 (7/32) washers - 48 (3/16) washers - 48 nuts
- **Large Sled** - 6 Hyfax strips - 54 screws - 54 (7/32) washers - 54 (3/16) washers - 54 nuts

## Installation:

1. Layout all parts.
2. Position the sled as shown, tap the strip (Item 1) into the slot (with hammer) on the front of the sled as shown in the diagram. Pre-bending the Hyfax strip will make the installation easier.
3. Drill the first hole closest to the end with the 5/32 or 1/8 drill bit. Using either of these bits will allow the screw to be held in place by the plastic when tightening up the nuts.
4. Using the drill/driver and allen bit, drive the screw and smallest washer into the hole to secure the strip in place. Tighten nut and washer into place on the inside of sled using the 3/8 socket and ratchet.
5. Bend the strip to the contour of the sled.
6. Drill the remaining holes with the 5/32 or 1/8 drill bit.
7. Finish fastening the strip into place.
8. Repeat for the remaining strips.



Hyfax Kit  
July, 2011